

Fixed mount 1D & 2D barcode scanner

TFIR-3171V-24V



Top notch decoding capability

Highest level performance in reading speed, accuracy, decode capability against damaged or dirty barcode in the industry based on camera technology and decoding algorithm.

High quality CMOS sensor

High quality and leading edge monochrome CMOS sensor enables high speed image capturing. Successfully reduced sensor noise which leads more appropriate image for barcode reading.

Vast range of application

C-mount lens and external illumination contribute to handle vast range of barcode application.

Supported barcode

Most of public barcodes can be read by TFIR-3171 including 1D codes, QR code, Data Matrix RSS/Composite code. Also other codes can be supported upon special request.

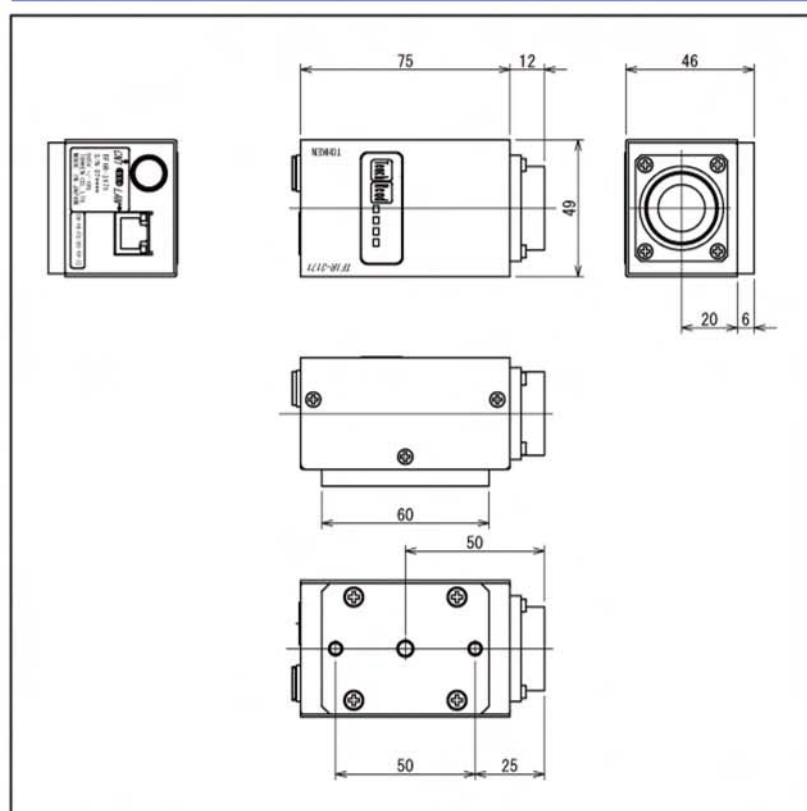
Compact design

One of the smallest scanner with C-mount lens (86 x 49 x 46 mm (without projection)). Metal base with 3 screw hole will ease the placement of the scanner

TOHKEN

Dimensions ^①	46(H)×49(W)×86(D)mm (not including projection)
Weight ^①	Approx. 245g
Operating Temperature ^②	0°C ~ 40°C
Operating Humidity ^②	35% ~ 85% R.H. (no condense)
Storage Temperature ^②	-20°C ~ 65°C
Storage Humidity ^②	35% ~ 85% R.H. (no condense)
Power rating ^③	DC10.8V~26.4V
Power consumption ^③	Idle: 0.4A、Operating: 0.7A-
Serial interface ^④	RS-232C (1200bps ~ 115.2kbps)
LAN ^④	Ethernet (10Base-T、100Base-TX)
Data Format ^④	ASCII
Imaging device ^④	1/3 inch CMOS monochrome
Resolution ^④	752(X)×480(Y) (Approx. 360K pixel)

Dimensions



Setting Example



 帝商科技股份有限公司
REGAL REGAL SCAN TECH

台北: TEL: +886-2-22281000 FAX: +886-2-22287070
台中: TEL: +886-4-27081000 FAX: +886-4-27084000
台南: TEL: +886-6-3114000 FAX: +886-6-3116000
東莞: TEL: +86-769-85339439 FAX: +86-769-85339409
昆山: TEL: +86-512-57453700 FAX: +86-512-57453703
天津/廈門/蘇州 www.regalscan.com.tw